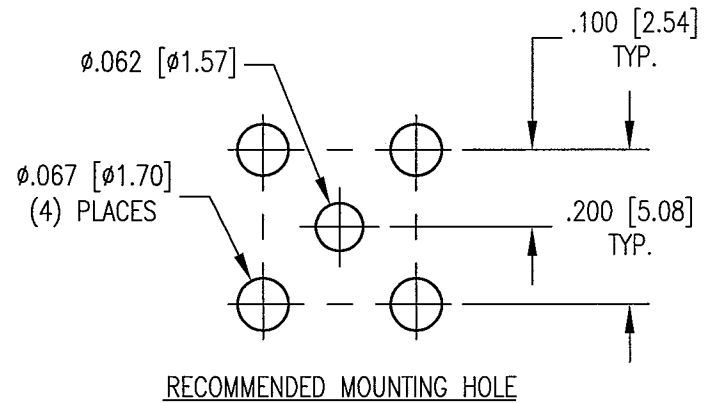
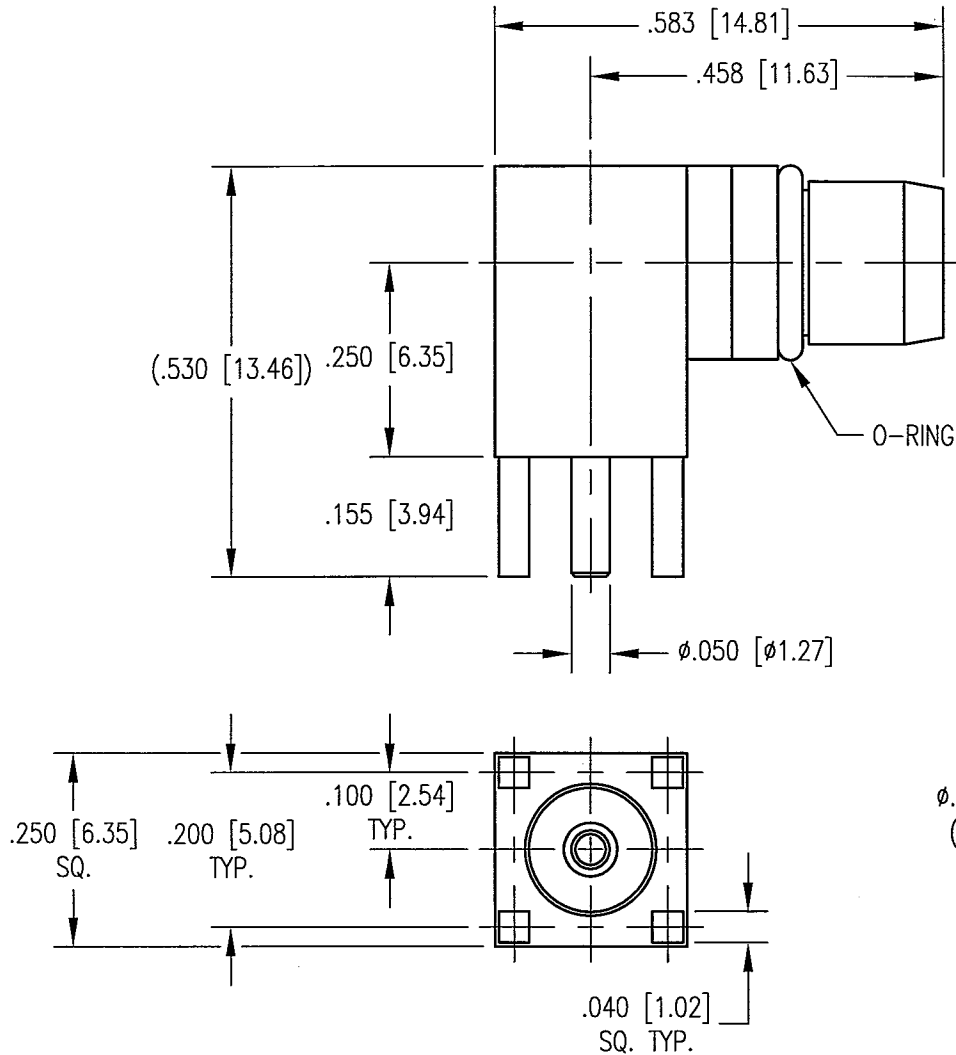


REV	DESCRIPTION	BY DATE	APPD
A	RELEASED PER ECR 7405	JED 7/10/02	JEM



NOTES:

1. MATERIALS:

ALL METAL PARTS: BRASS PER ASTM B16
 INSULATOR: TEFLON PER ASTM D1710
 O-RING: SILICONE RUBBER PER ZZ-R-765

2. FINISH:

CENTER CONTACT: .000030 MIN. GOLD PER MIL-G-45204 OVER
 .000050 MIN. NICKEL PER QQ-N-290
 BODY: .000015 MIN. GOLD PER MIL-G-45204 OVER
 .000050 MIN. NICKEL PER QQ-N-290
 CAP: .000005 MIN. GOLD PER MIL-G-45204 OVER
 .000050 MIN. NICKEL PER QQ-N-290

PER ASME Y14.5M-1994 UNLESS OTHERWISE SPECIFIED: DIMENSIONS ARE IN INCHES [MM]		NORTHROP GRUMMAN Winchester Electronics 400 Park Road Watertown, CT 06795	
TOLERANCES: DECIMALS .XX ± .01 [0.254] .XXX ± .005 [0.127] ANGLES ± 2° SCALE: 4:1		TITLE BMA RIGHT ANGLE PCB MOUNT PLUG	
CUSTOMER DRAWING		A 362-060-0040H	
DRAWN JED DATE 1/10/02	CHECKED JWH DATE 1/11/02	SHT. OF 1 1	REV. A